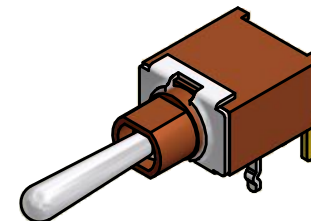
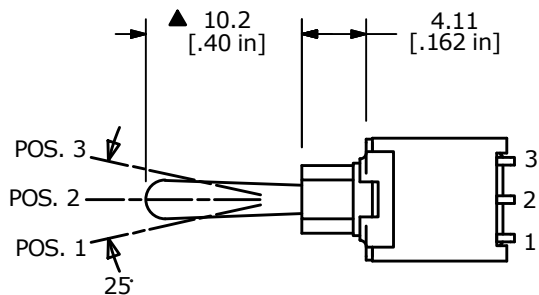
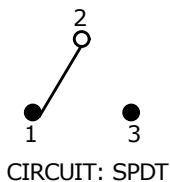


PC MOUNTING

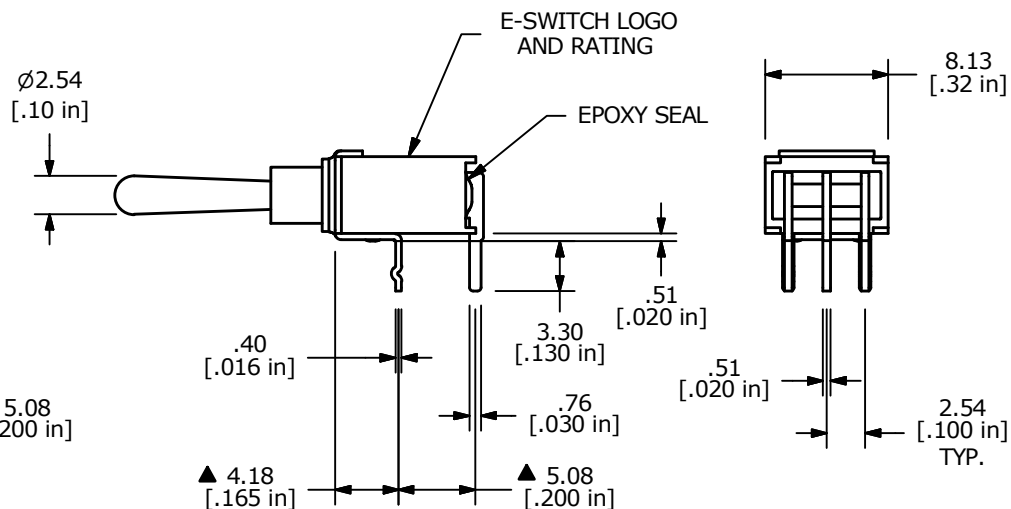
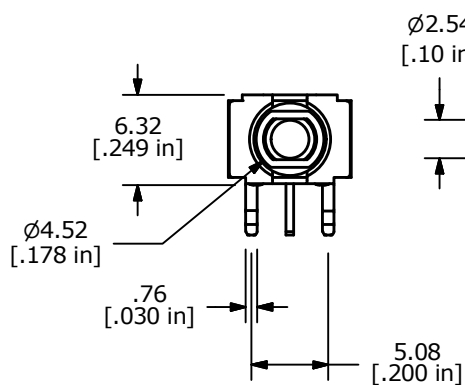


| SWITCH FUNCTION |        |        |
|-----------------|--------|--------|
| POS. 1          | POS. 2 | POS. 3 |
|                 |        |        |
| (ON)            | OFF    | (ON)   |
| 2-3             | OPEN   | 2-1    |

(ON) = MOMENTARY



CIRCUIT: SPDT



NOTE:

1. ALL DIMENSIONS IN MM [INCH]
2. GENERAL TOLERANCE: X.X = ±0.4  
X.XX = ±0.25
3. TERMINAL NUMBERS FOR REF ONLY
- ▲ 4. PLATING MATERIAL: GOLD
5. RATING: 0.4VOLT-AMPS MAX. @20V MAX. AC OR DC
6. CONTACT RESISTANCE: 20 Milli-OHMS MAX.
7. LIFE EXPECTANCY: 50,000 MAKE-AND-BREAK CYCLES AT FULL LOAD.
8. INSULATION RESISTANCE: 1,000 MEGA-OHM MIN.
9. DIELECTRIC STRENGTH: 1,000 V RMS @SEA LEVEL.
10. SEAL RATING: IP67
11. OPERATING TEMP.: -30°C to 85°C
12. ▲ DENOTES CRITICAL PARAMETER.



|                          |               |       |             |       |
|--------------------------|---------------|-------|-------------|-------|
| TITLE 200AWMSP4T1A1M61RE |               |       |             |       |
| SCALE 2:1                | DATE 2/2/2016 | DR MW | DWG T201252 | REV A |

|     |        |                        |        |    |
|-----|--------|------------------------|--------|----|
| A   | 22141  | Release For Production | 2/2/16 | MW |
| REV | PCR NO | DESCRIPTION            | DATE   | BY |

THE INFORMATION CONTAINED IN THIS DOCUMENT IS PROPRIETARY TO E-SWITCH AND IS NOT TO BE COPIED OR TRANSFERRED